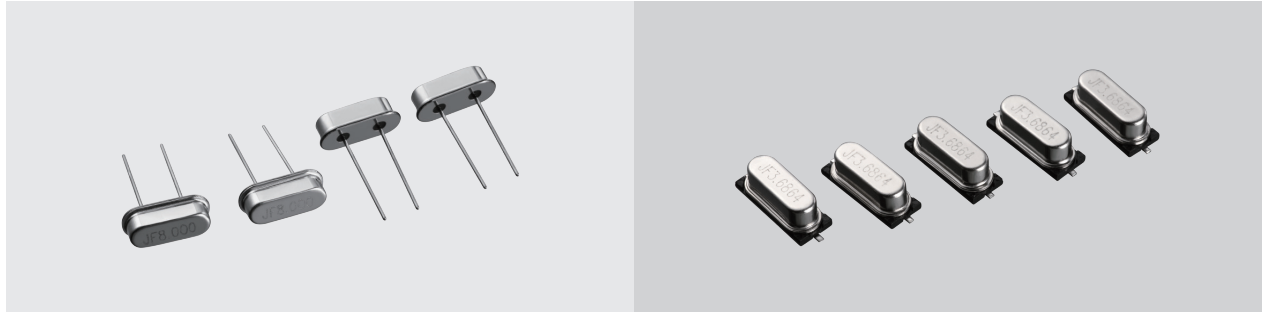
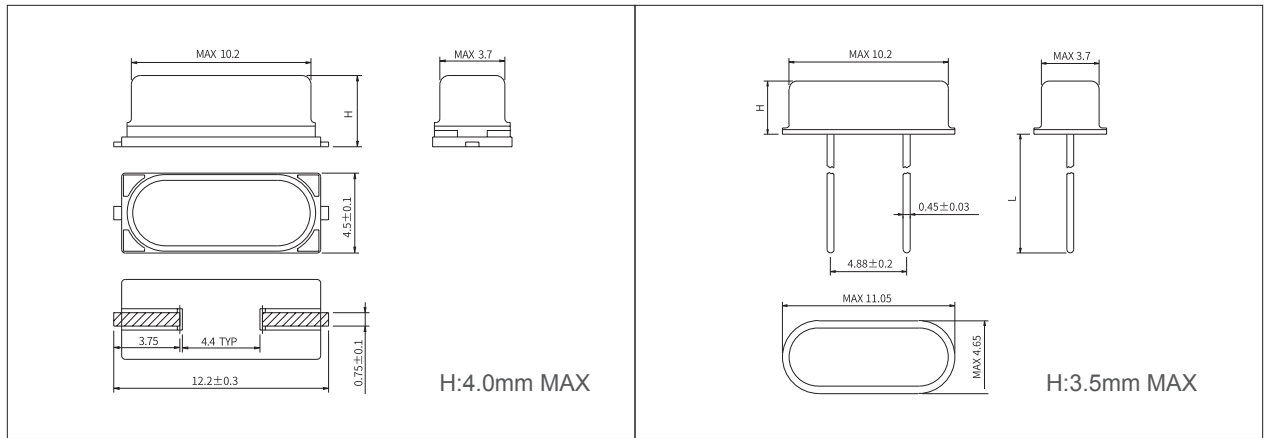


# HC-49S 49S/SMD系列

HC-49SMD HC-49S



## ◎ 产品尺寸图 /Product dimension drawing <unit:mm>



## ◎ 产品参数 /Product parameter

项目 Item \ 类型 Type	HC-49S &HC-49SMD
频率范围Frequency Range	3.2768M~90M
调整频差Frequency Tolerance(at 25°C)	±20ppm,or specify
温度频差 Frequency Stability Over Operating Temperature Range	±30ppm,or specify
工作温度Operating Temperature Range	-20~+70°C,or specify
静态电容Shunt Capacitance(C0)	5.0pF Max
绝缘电阻Insulation Resistance(IR)	500MΩ Min 100VDC/+15VDC
激励功率Drive Level	0.01~1000μW(10μW typical)
负载电容Load Capacitance	12pF, 20pF,or specify
老化率Aging(at 25°C)	±3ppm/year Max
储存温度Storage Temperature Range	-55~+125°C
等效串联电阻 Equivalent Series Resistance(ESR)	100Ω Max / see spec

## ◎ 应用范围 /applied range

